

CounterTopiaTM

Quality, Controlled & Delivered



Model GA0186-X/T

Colors/Finishes

White

Codes/Standards Applicable

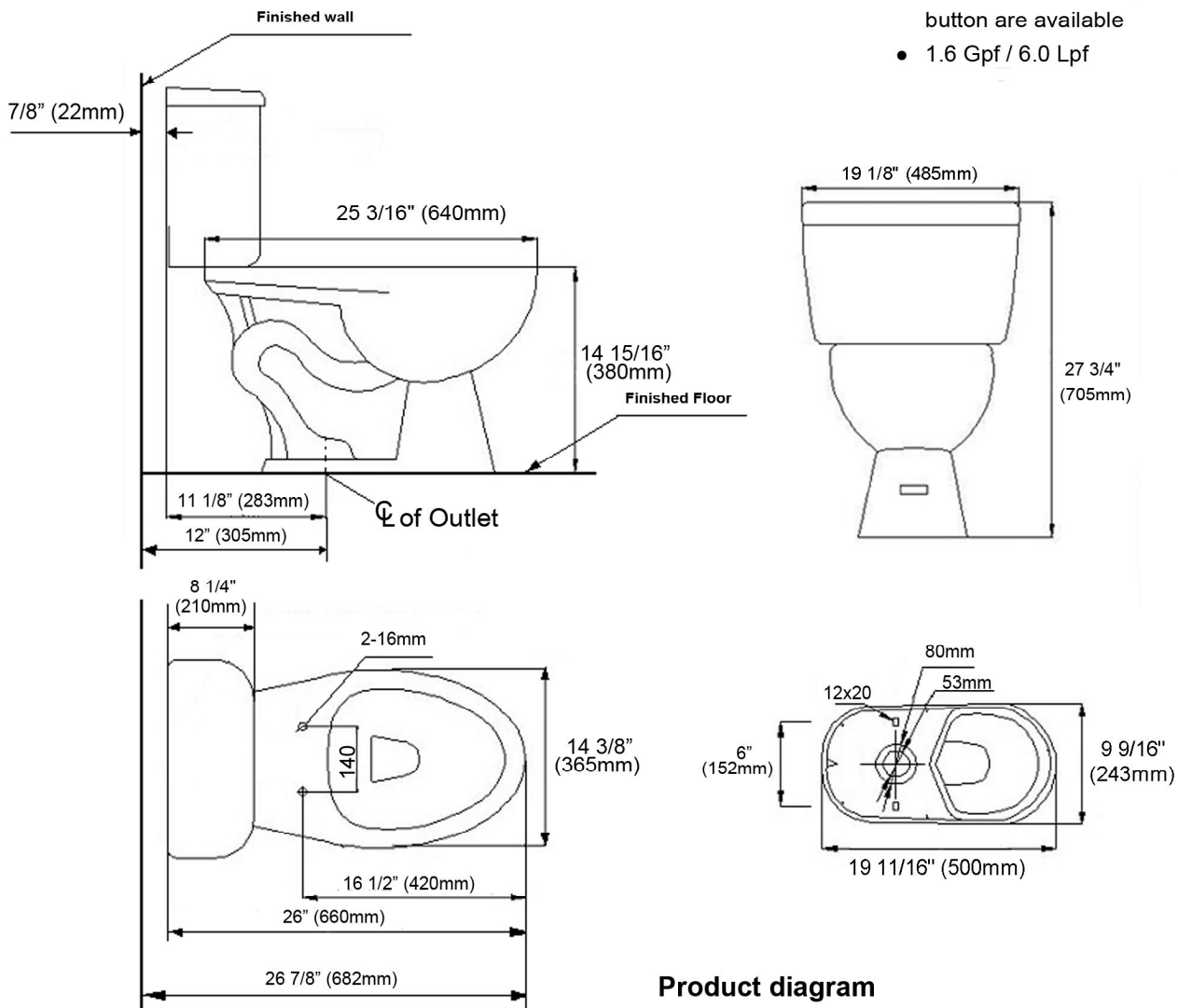
Specified model meets or exceeds the following:

- ASME A112.19.2M
- IAPMO/UPC&cUPC Certified
- MaP Test Performance: 800 Grams

Features



- Vitreous china
- Round-front two-piece toilet
- Siphonic jet flush type
- 12" (305mm) rough-in
- 2" (50mm) fully glazed trapway
- Front tank lever or top mounted flush button are available
- 1.6 Gpf / 6.0 Lpf



Product diagram

Important: Roughing-in dimensions may vary 1/2" and are subject to change or cancellation without prior notice

For more information call: 301-209-0668
www.countertopia.com