

GRANAM 1150HC

Under-Mount Kitchen Sink

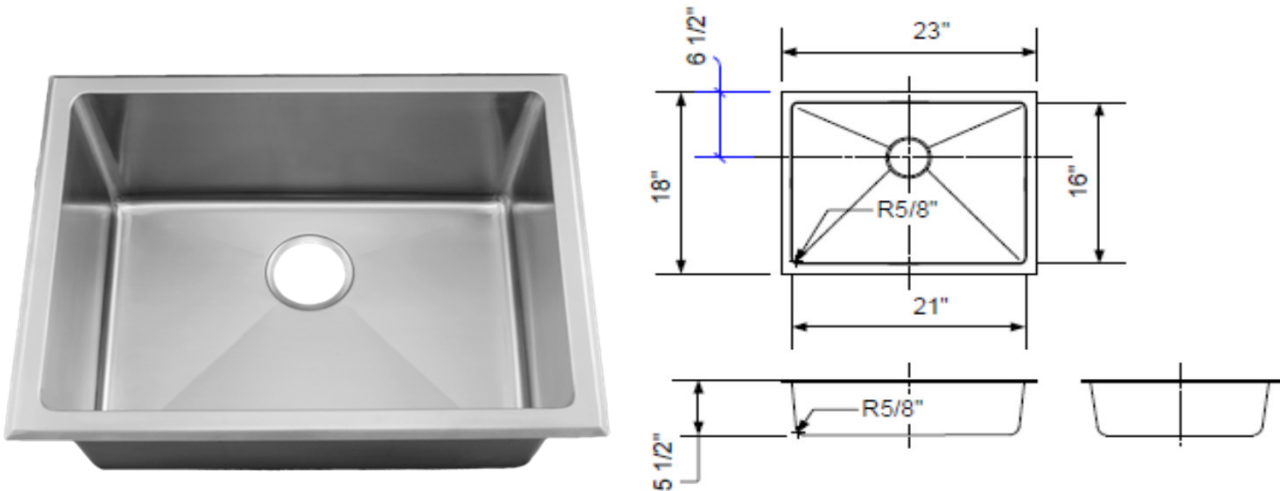


Features:

- Single Bowl
- 18 Gauge - 304 Series Stainless Steel
- Standard 3 5/8" Drain hole off center (Rear)
- Fits in Minimum 27" and above Cabinets

Nominal Dimensions

Overall	Bowl	Depth	Cutout
23" x 18"	21" x 16"	5 1/2"	See Template



Product Codes and Standards

ASME ANSI A112.19.3M
Sink meets NFS, cUPC, CSA and UL standards

Exclusions:

Faucet, Garbage Disposal, Strainer and Drain kit

Granite America/Countertopia reserve the right to make revisions on the above product specification without any prior notice
For further references, please go to www.countertopia.com or please contact 1-888-my-granite or email info@countertopia.com