

GRANAM 1150

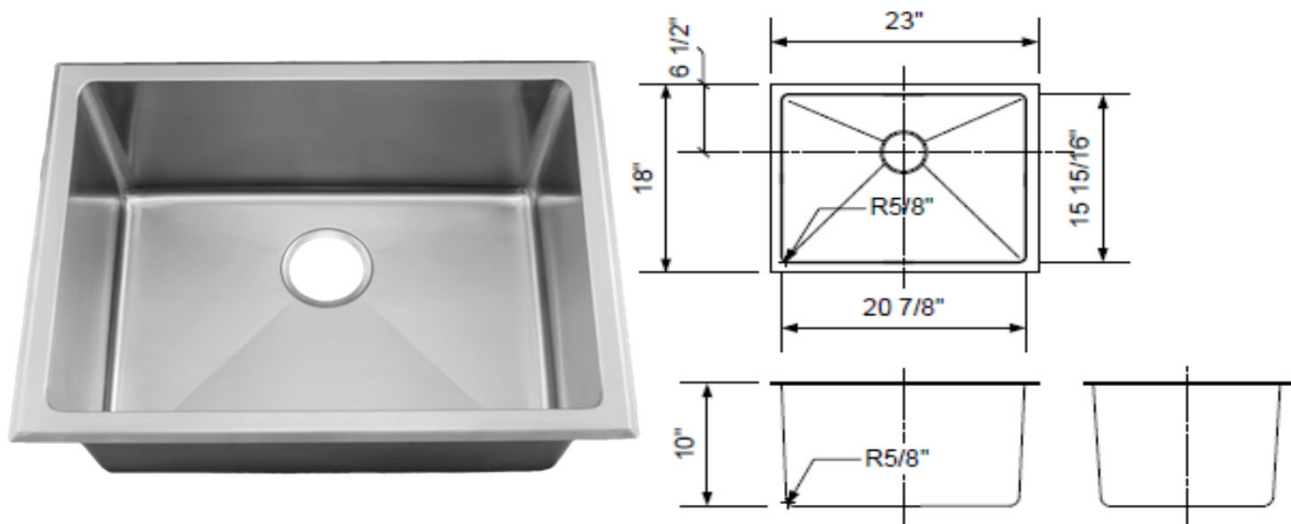
Under-Mount Kitchen Sink

Features:

Single Bowl
18 Gauge - 304 Series Stainless Steel
Standard 3 5/8" Drain hole off center (Rear)
Fits in Minimum 27" and above Cabinets

Nominal Dimensions

Overall	Bowl	Depth	Cutout
23" x 18"	20 7/8" x 15 15/16"	10"	See Template



Product Codes and Standards

ASME ANSI A112.19.3M
Sink meets NFS, cUPC, CSA and UL standards

Exclusions:

Faucet, Garbage Disposal, Strainer and Drain kit