

GRANAM 1141S

Under-Mount Kitchen Sink

Features:

Single Bowl

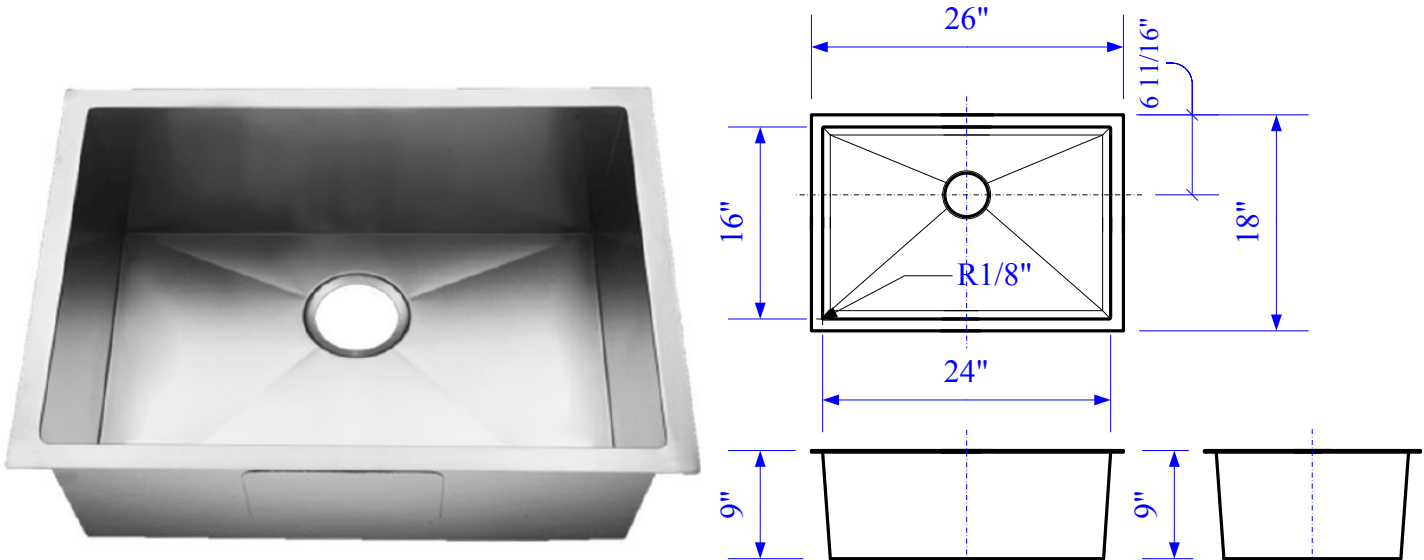
18 Gauge – 304 Series Stainless Steel

Standard 3 5/8" Drain hole Off Center (Rear)

Fits in Minimum 30" and above Cabinets

Nominal Dimensions

Overall	Bowl	Depth	Cutout
26" x 18"	24" x 16"	9"	See Template



Product Codes and Standards:

ASME ANSI A112.19.3M

Sink meets NFS, cUPC, CSA and UL Standards

Exclusions:

Faucet, Garbage Disposal, Strainer and Drain kit