

# GRANAM 1141

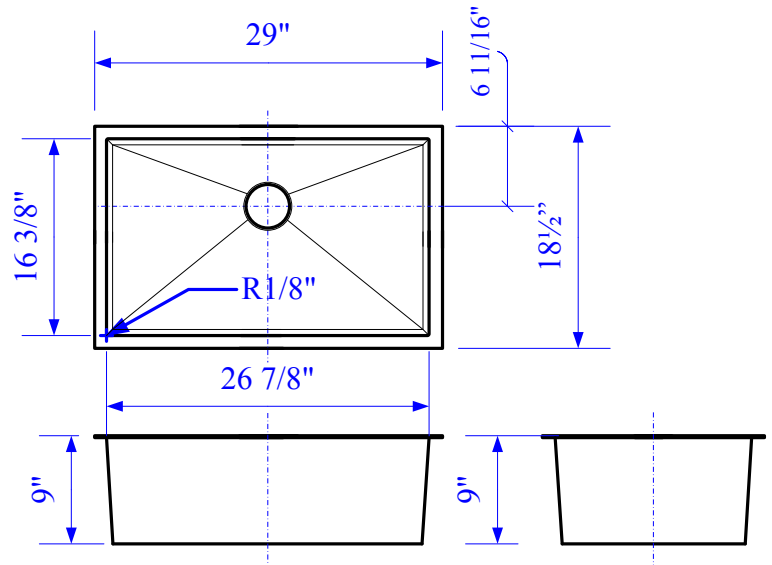
## Under-Mount Kitchen Sink

### Features:

Single Bowl  
18 Gauge – 304 Series Stainless Steel  
Standard 3 5/8" Drain hole Off Center (Rear)  
Fits in Minimum 36" and above Cabinets

### Nominal Dimensions

Overall	Bowl	Depth	Cutout
29" x 18½"	26 7/8" x 16 3/8"	9"	See Template



### Product Codes and Standards:

ASME ANSI A112.19.3M  
Sink meets NFS, cUPC, CSA and UL Standards

### Exclusions:

Faucet, Garbage Disposal, Strainer and Drain kit